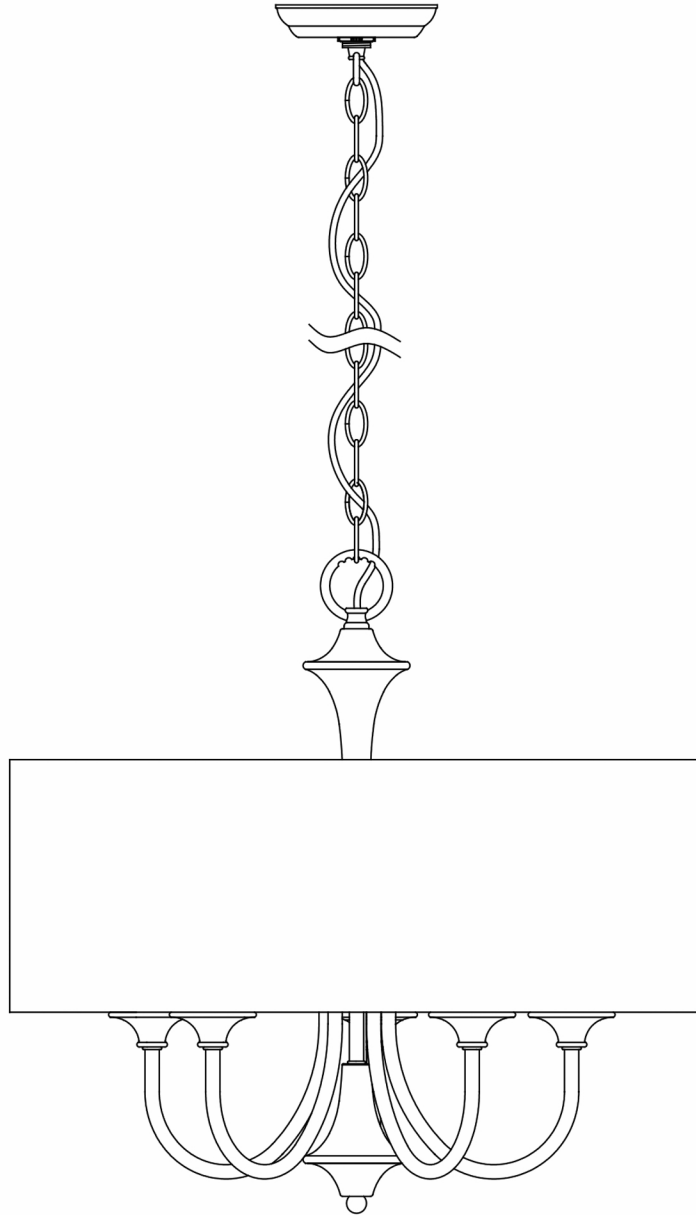


STUDIO•M

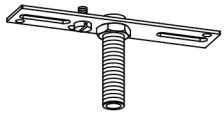
SM160015

Please consult your electrician for hanging fixture and wiring.

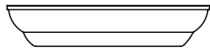


Bulb (not included): 5x60W Medium Base Bulb

IMPORTANT: Turn off the power at the main fuse or circuit breaker box before starting installation



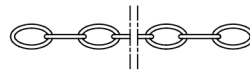
(A) Bracket



(B) Canopy



(C) Loop

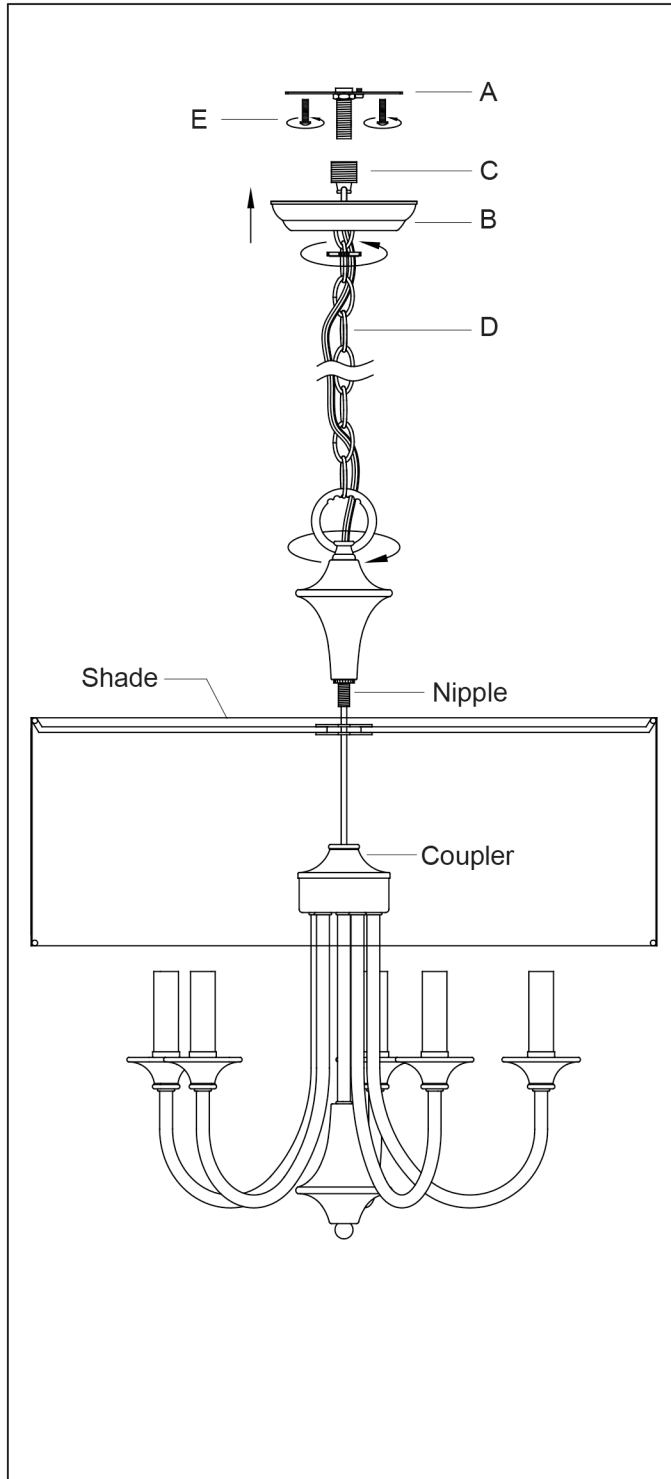


(D) Chain



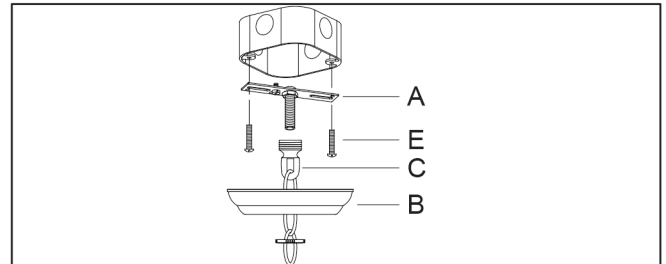
(E) Mounting Screws(4Pcs)

Locate all hardware & components before discarding packaging



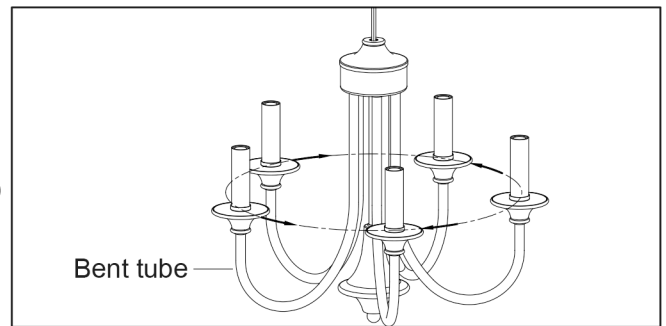
Cleaning & Care:

Clean with soft cloth and a mild detergent.
Do not use abrasive cleaner.



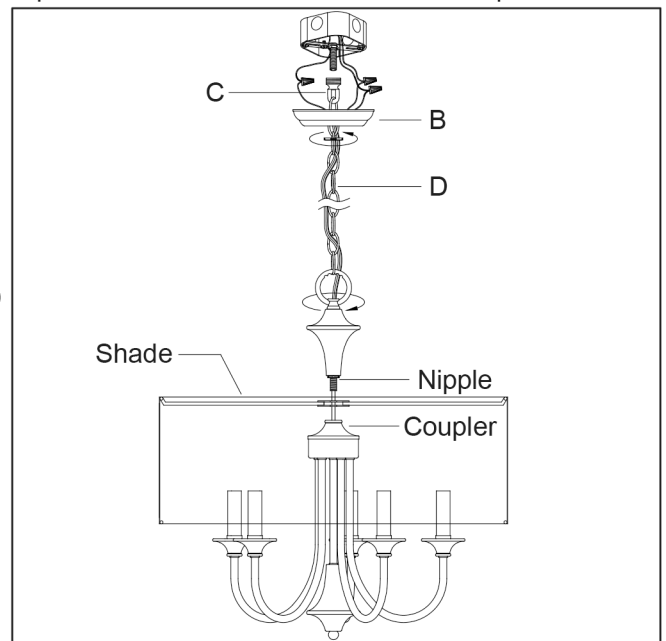
1.)

Step1: Remove mounting bracket from fixture and install to electrical box.



2.)

Step2: Rotate the bent tube to the suitable position.



3.)

Step3: Place shade on the Coupler and tighten with the Nipple. Install top loop to center stem and attach appropriate amount of chain to loop to achieve desired mounting height. Thread wire through every 3rd loop of chain. Remove ring from loop and slide down chain. Place canopy onto chain and let slide to top of fixture. Install nipple and cross bar into top of chain loop. Wire fixture to wires in outlet box. Copper wire is for Ground. Pull canopy through screw ring up chain to ceiling and tighten securely.