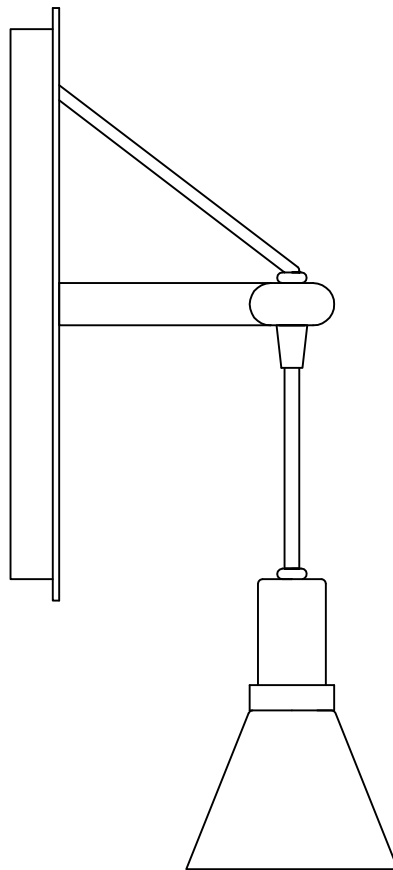


STUDIO•M

PRODUCT NAME: Scan 1 Light Wall Sconce

ITEM NUMBER: SM23820CLWN

Please consult a qualified electrician for hanging fixture and wiring.

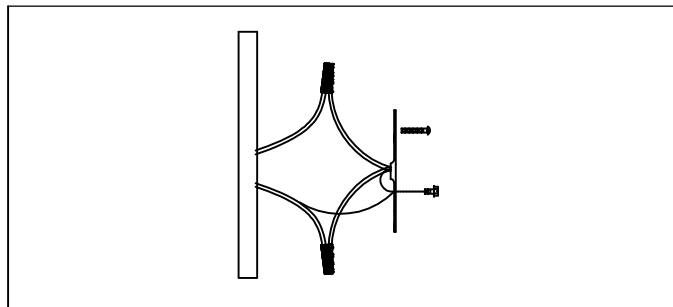
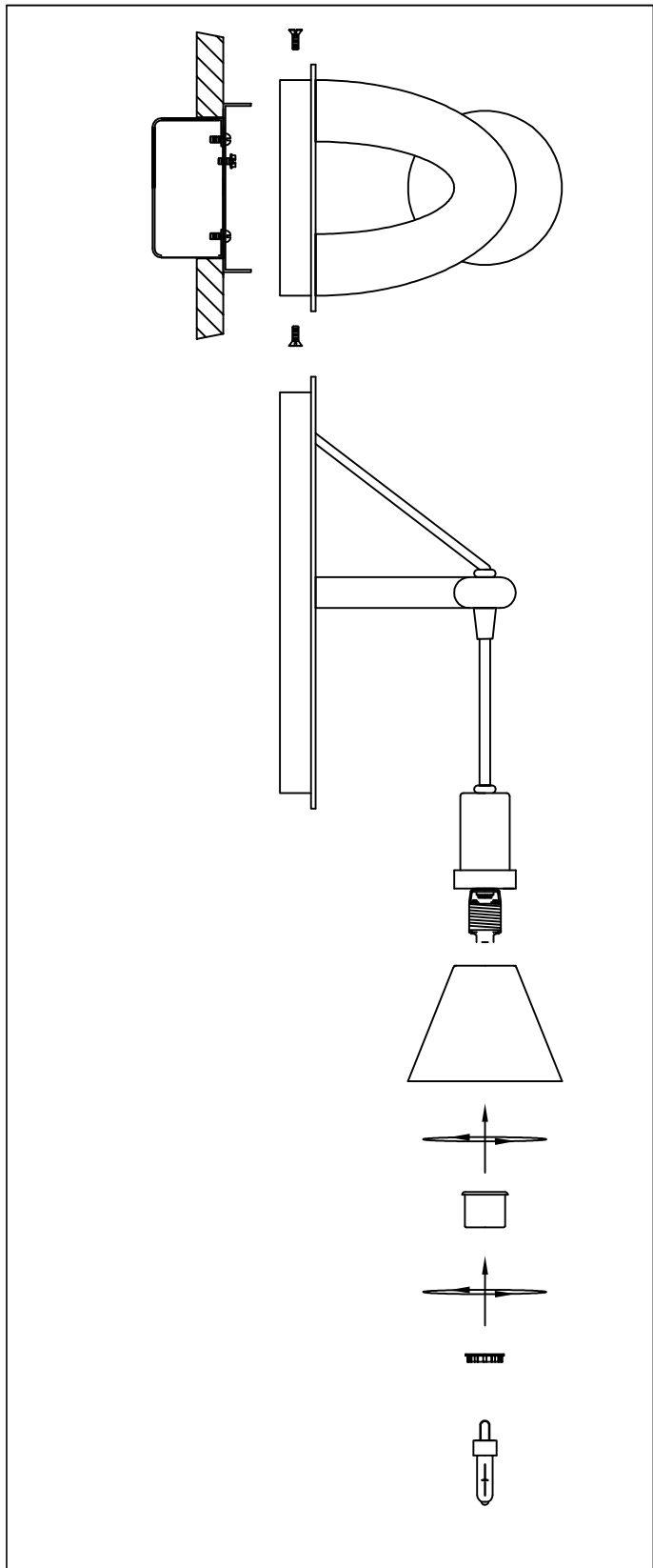


Caution: Xenon bulbs get very hot and may burn you. Always make sure bulbs are off for a minimum of 10 minutes before handling. Fixture may be dimmed using an electronic low voltage dimmer.

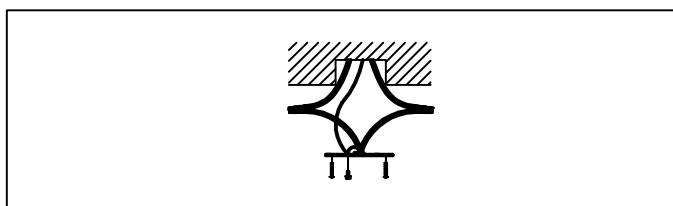
Bulb (included): 1*40W G9 Bulb

IMPORTANT: Turn off the power at the main fuse or circuit breaker box before starting installation

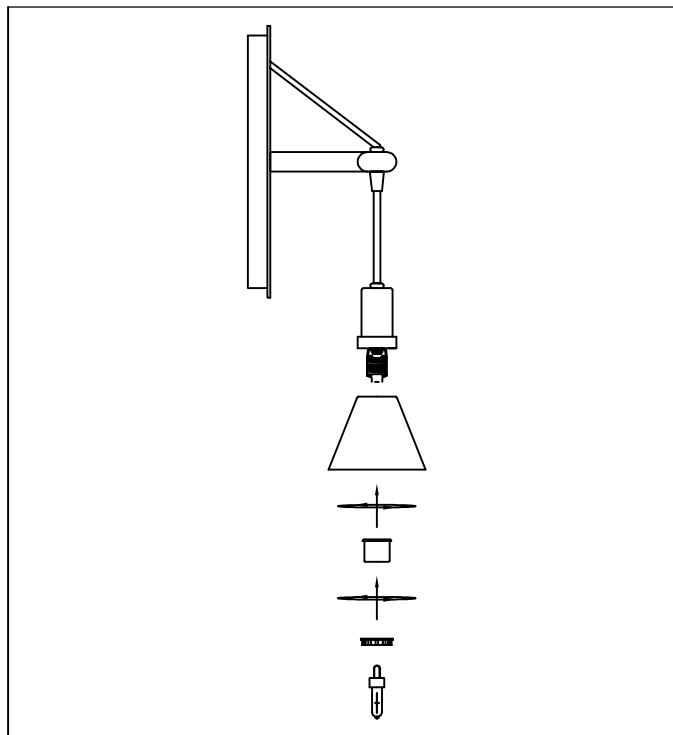
Locate all hardware & components before discarding packaging



1. Remove mounting bracket from fixture and install to electrical box



2. Wire fixtures to wires in outlet box. green wire is for grounding.



3. Attach shades using screw ring provided.
4. Install glass using spacer and screw ring provided.
5. Install 1 max 40W G9 bulb into socket.

Cleaning & Care:
Clean with soft cloth and a mild detergent.
Do not use abrasive cleaner