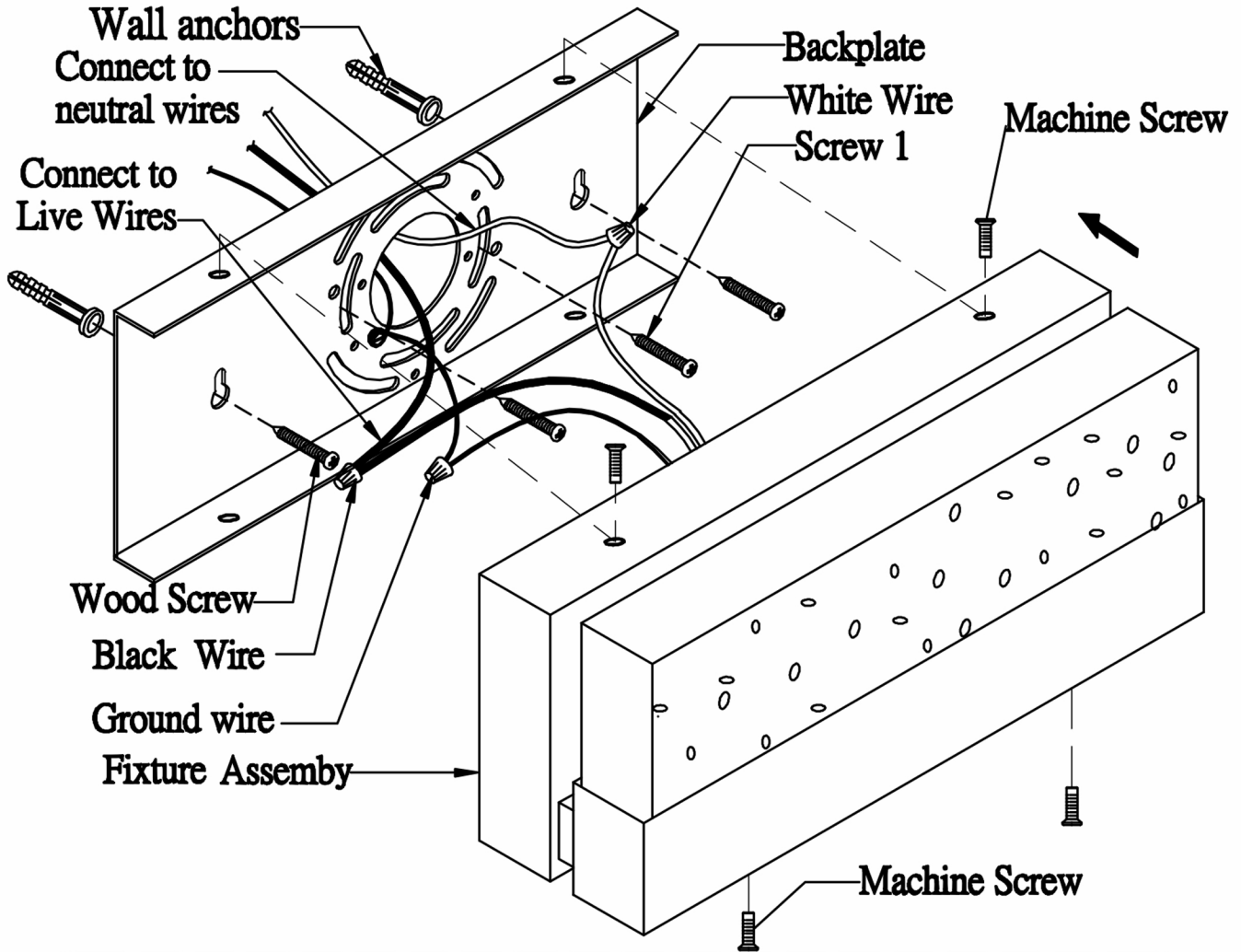


# STUDIO•M

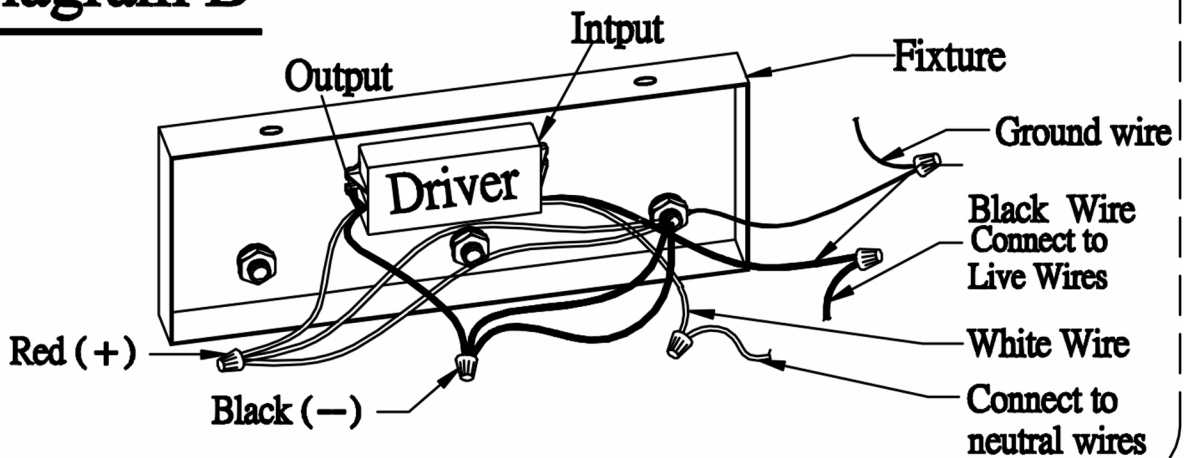
SM252757

Please consult your electrician for hanging fixture and wiring.

## Diagram A



## Diagram B



# STUDIO•M

SM252757

Please consult your electrician for hanging fixture and wiring.

**Turn off power at breaker for outlet fixtures is being installed to.**

- 1. Install backplate to outlet box.**
- 2. Mark for holes for wall anchors**
- 3. Remove backplate from outlet box**
- 4. Drill 3/16" holes at marked locations**
- 5. Insert wall anchors into drilled holes**
- 6. Re-install backplate to outlet box, secure with screw 1**
- 7. Insert wood screws into wall anchors and tighten to secure**
- 8. Wire fixture assembly per diagram B**
- 9. Install fixture assembly to backplate and secure using machine screws, metal washer and rubber washer on top and bottom.**
- 10. Install Bubble Glass to fixture**

# STUDIO•M

SM252757

Please consult your electrician for hanging fixture and wiring.

**Turn off power at breaker for outlet fixtures is being installed to.**

- 1. Install backplate to outlet box.**
- 2. Mark for holes for wall anchors**
- 3. Remove backplate from outlet box**
- 4. Drill 3/16" holes at marked locations**
- 5. Insert wall anchors into drilled holes**
- 6. Re-install backplate to outlet box, secure with screw 1**
- 7. Insert wood screws into wall anchors and tighten to secure**
- 8. Wire fixture assembly per diagram B**
- 9. Install fixture assembly to backplate and secure using machine screws, metal washer and rubber washer on top and bottom.**
- 10. Install Bubble Glass to fixture**