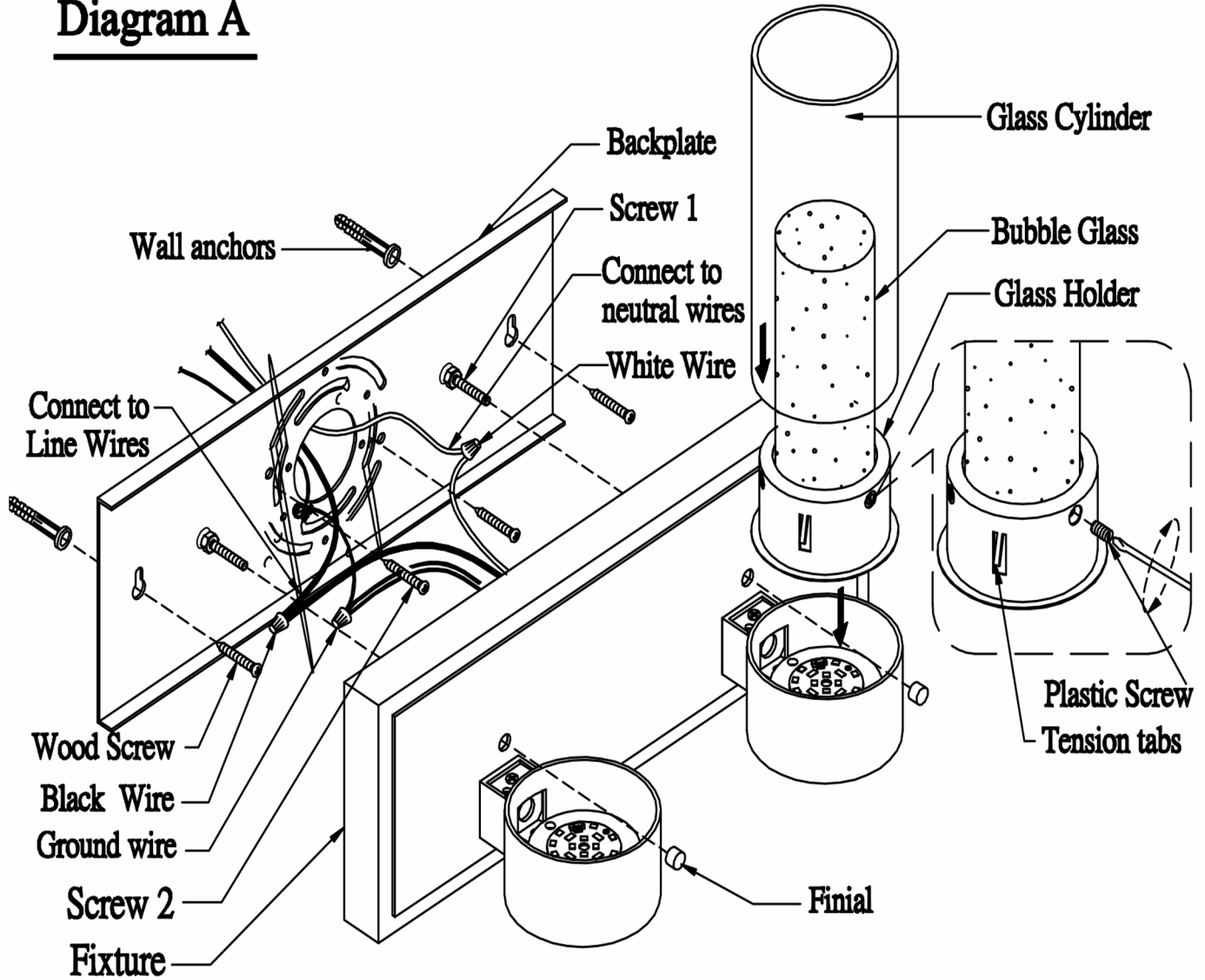


# STUDIO•M

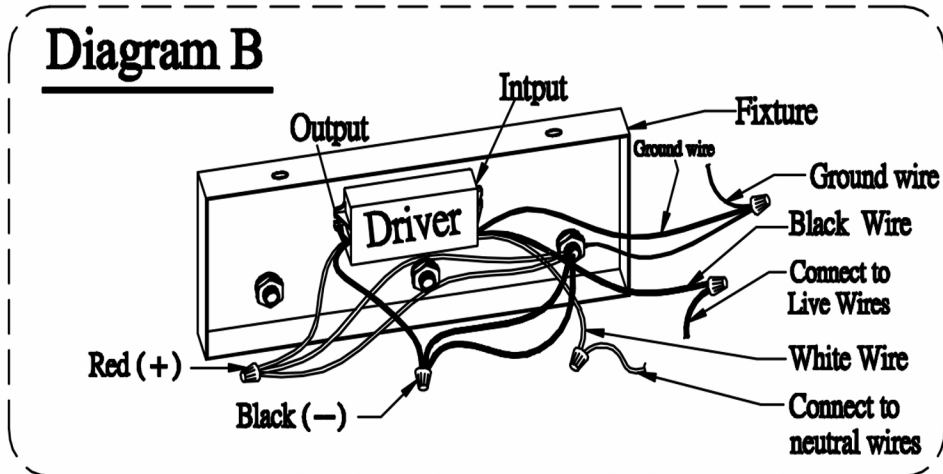
SM260904

Please consult your electrician for hanging fixture and wiring.

## Diagram A



## Diagram B



# STUDIO • M

SM260904

Please consult your electrician for hanging fixture and wiring.

## **1. Electrical Wiring:**

**WARNING: The Fixture wires need to be connected to DRIVER found in the backplate. Do not connect the Red and Black wire from fixture directly to power source or a Blowout/Shortcircuit might occur.**

**Connect the WHITE wire of the Driver to the White/Neutral wire from electrical source using the wire nut provided. Connect the BLACK wire of the Driver to the Black/Live wire from electrical source using the wire nut provided. Connect the GROUND wire from fixture and Ground of the electrical source to the Green Ground screws on the backplate.**

**WARNING: Please refer to the Electrical wiring instructions provided for safety and proper procedure of electrical wiring. Consult a qualify electrician if you are not familiar with electrical wiring.**

**Turn off power at breaker for outlet fixtures is being installed to.**

- 1. Install backplate to outlet box using (screw 2)**
- 2. Mark for holes for wall anchors**
- 3. Remove backplate from outlet box**
- 4. Drill 3/16" holes at marked locations**
- 5. Insert wall anchors into drilled holes**
- 6. Re-install backplate to outlet box using (screw 2)**
- 7. Insert wood screws into wall anchors and tighten to secure**
- 8. Wire fixture assembly per Diagram B**
- 9. Install fixture assembly to Backplate and secure with finials**
- 10. Install bubble glass into glass holder and tighten plastic screw to secure**
- 11. Insert glass holder into fixture casting**
- 12. Insert glass cylinder into fixture casting\***

**\*Pull out tension tabs to increase stability of glass cylinder if necessary**