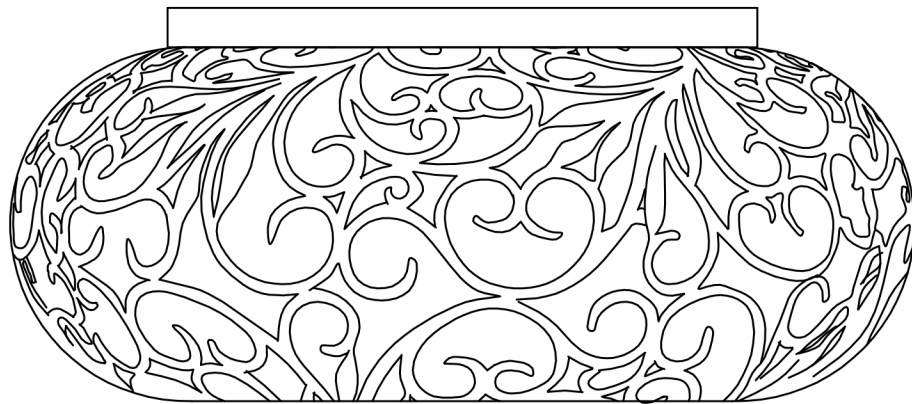


STUDIO•M

SM264150

Please consult your electrician for hanging fixture and wiring.

Please consult your electrician for Hang fixture and wiring.



Warnings:

G4 and G9 Xenon Bulbs

Caution: Xenon bulbs get very hot and may burn you. Always make sure bulbs are off for a minimum of 10 minutes before handling. Fixture may be dimmed using an electronic low voltage dimmer.

Bulb(included) :40W G9 Xenon Clear

STUDIO•M

SM264150

Please consult your electrician for hanging fixture and wiring.

IMPORTANT: Turn off power at the main fuse or circuit breaker box before starting installation



(A) Bracket

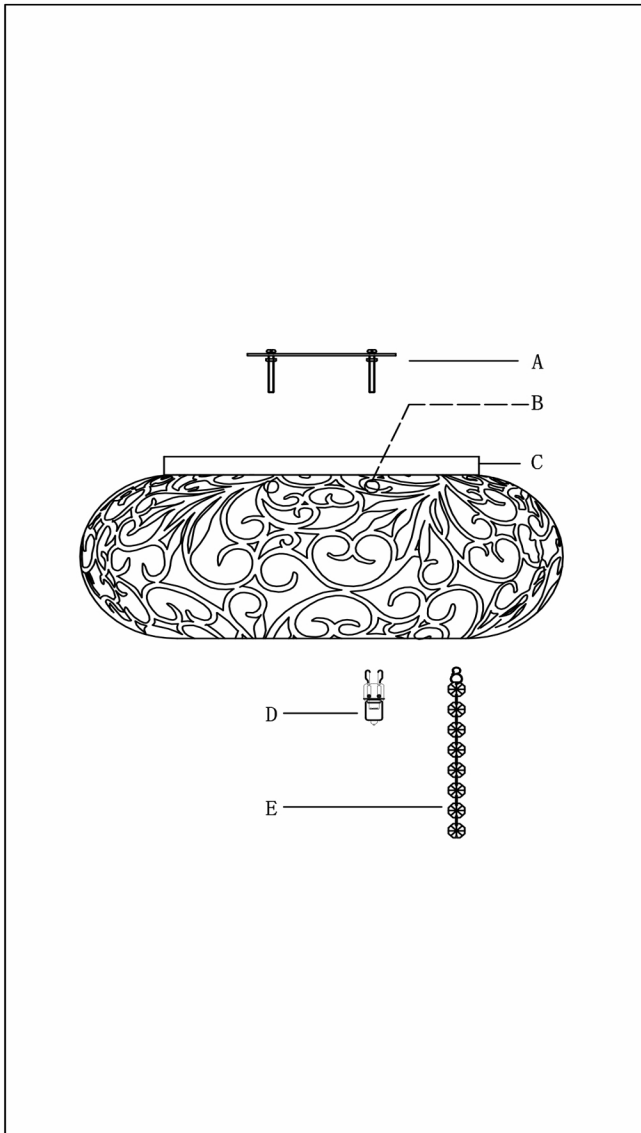


(B) Ball nut

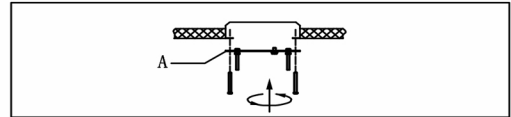


(C) Body

Locate all hardware & components before discarding packaging

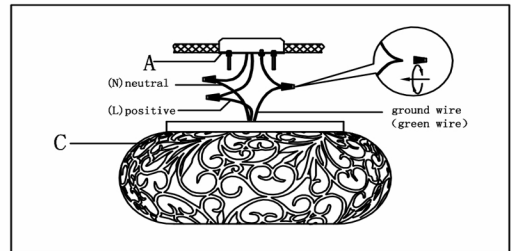


1.)



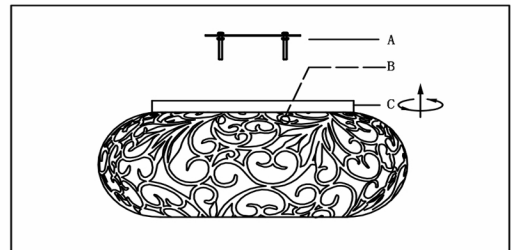
Step. 1: Remove mounting bracket(A) from fixture and install to electrical box.

2.)



Step. 2: Wire fixture to wires in outlet box. Copper/Green wire is for Ground.

3.)



Step. 3: Install fixture to bracket(A) and tighten ball nuts (B) on the backplate to secure.

Cleaning & Care:

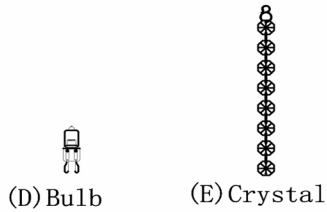
Clean with soft cloth and a mild detergent.
Do not use abrasive cleaner.

STUDIO•M

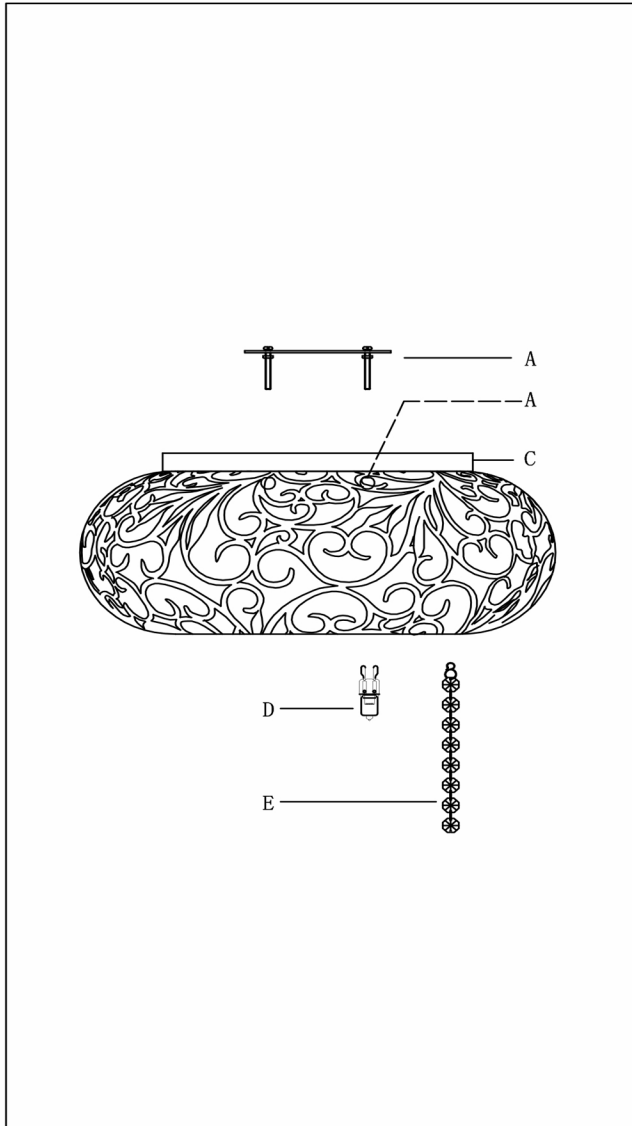
SM264150

Please consult your electrician for hanging fixture and wiring.

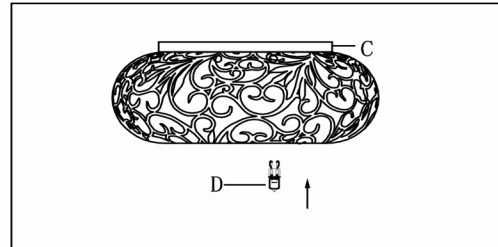
IMPORTANT: Turn off power at the main fuse or circuit breaker box before starting installation



Locate all hardware & components before discarding packaging

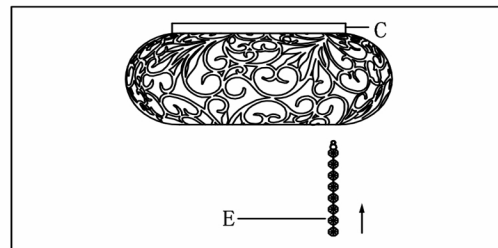


4.)



Step. 4: Install the bulb

5.)



Step. 5: Hang the crystal(E)
on lamp body(C)

Cleaning & Care:

Clean with soft cloth and a mild detergent.
Do not use abrasive cleaner.