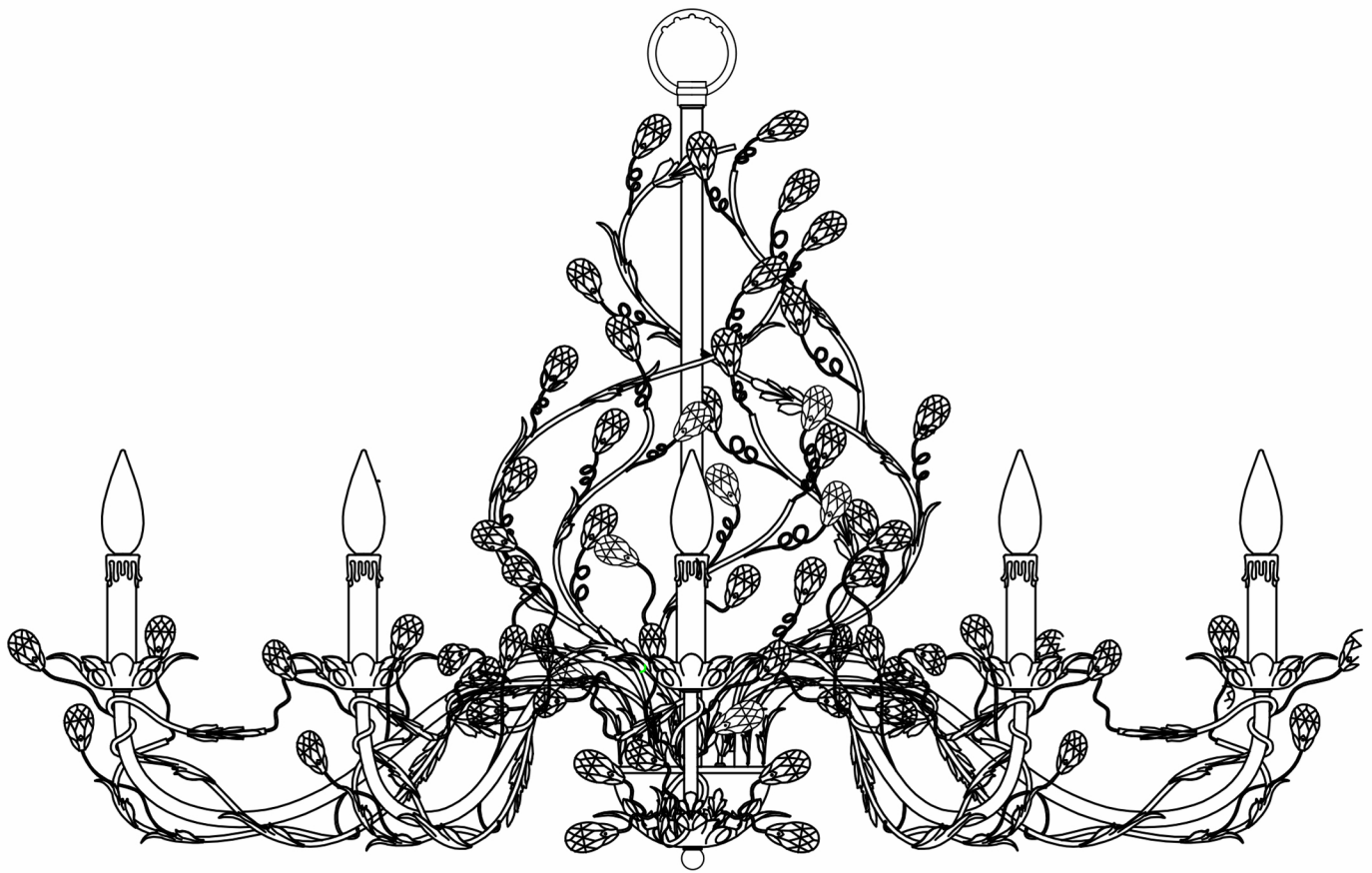


STUDIO•M

SM26851

Please consult your electrician for hanging fixture and wiring.

Please consult your electrician for hanging fixture and wiring.



Bulb(not included): 6-60 Watt Max Candelabra Base Bulb

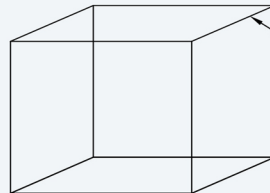
STUDIO•M

SM26851

Please consult your electrician for hanging fixture and wiring.

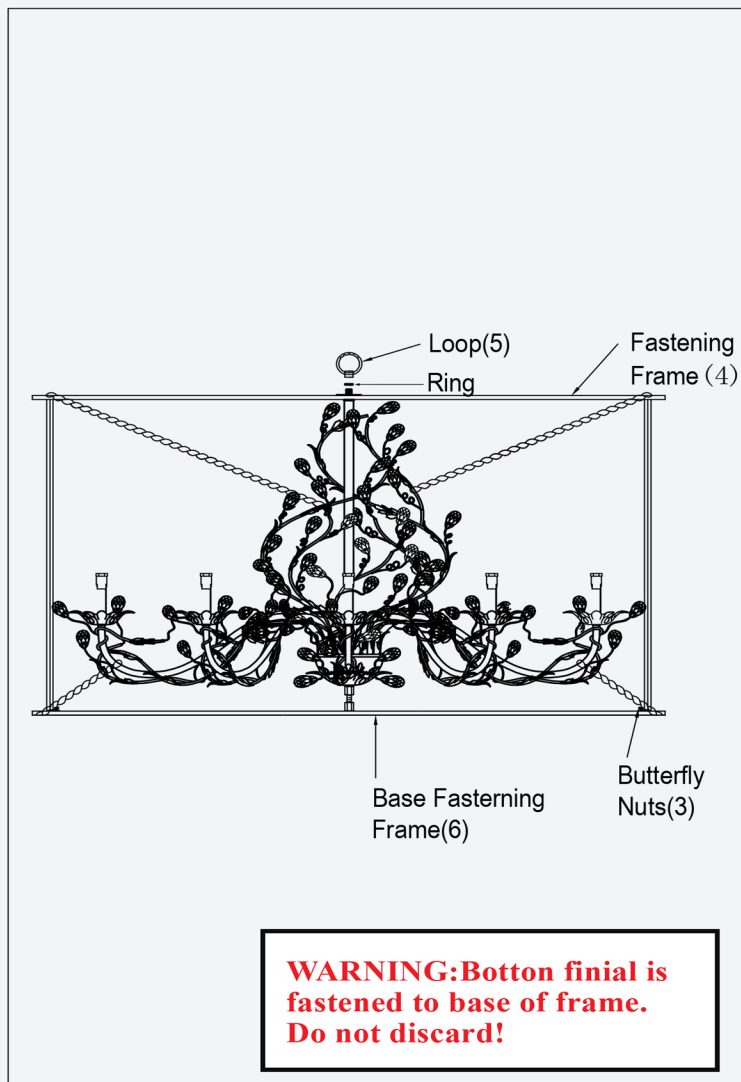
IMPORTANT: Turn off the power at the main fuse or circuit breaker box before starting installation

EXAMPLE

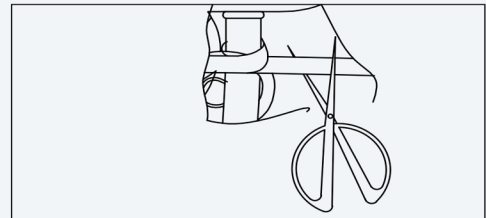


Parts bag located here

Locate all hardware & components before discarding packaging

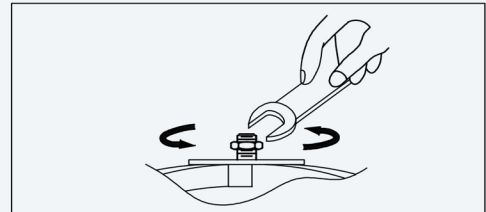


1.)



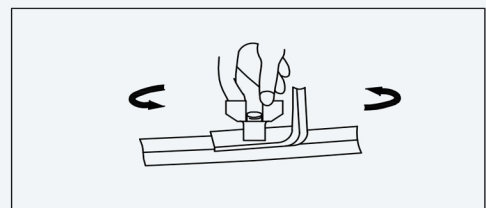
Step.1: Cut twine ties.

2.)



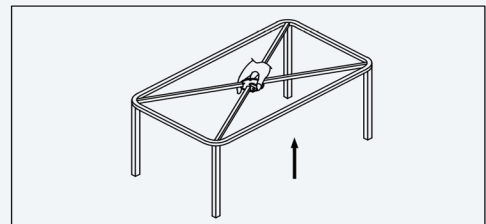
Step.2: Remove top hex nut from metal frame.

3.)



Step.3: Remove 4 wing nuts at the bottom side of frame.

4.)



Step.4: Carefully lift metal frame over fixture.

Cleaning & Care:

Clean with soft cloth and a mild detergent.
Do not use abrasive cleaner.

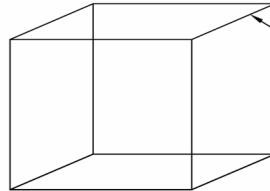
STUDIO•M

SM26851

Please consult your electrician for hanging fixture and wiring.

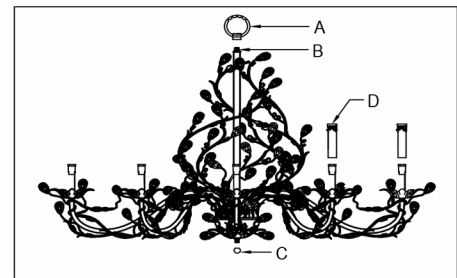
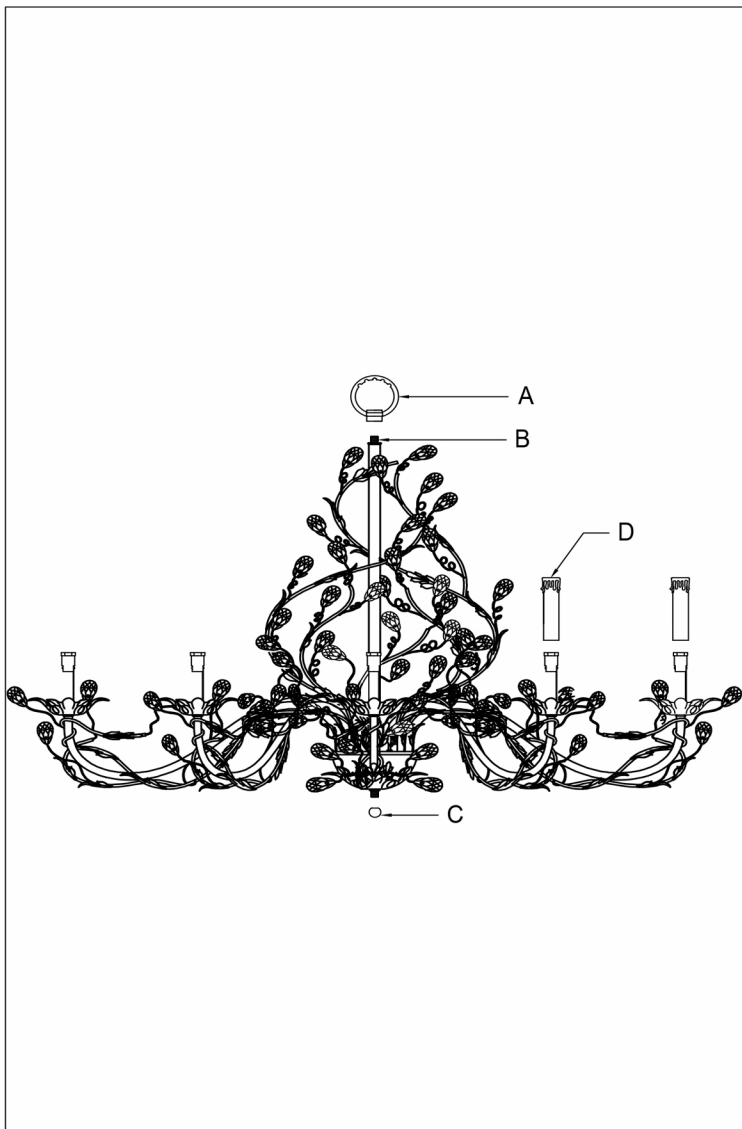
IMPORTANT: Turn off the power at the main fuse or circuit breaker box before starting installation

EXAMPLE



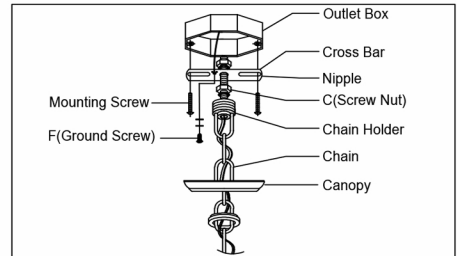
Parts bag located here

Locate all hardware & components before discarding packaging



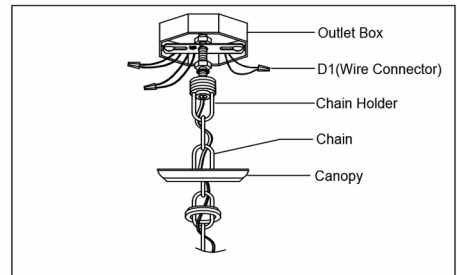
1.)

1. Install top loop A to center stem and attach appropriate amount of chain to loop to achieve desired mounting height. Thread wire through every 3rd loop of chain.



2.)

2. Remove ring from loop and slide down chain. Place canopy onto chain and let slide to top of fixture. Install nipple and cross bar into top of chain loop. Thread wire through loop and nipple. Install mounting bar to outlet box.



3. Wire fixture wire leads to outlet box wires. Wire copper ground wire from fixture to ground from outlet box. Pull canopy and screw ring up chain to ceiling and tighten securely.

Cleaning & Care:

Clean with soft cloth and a mild detergent.
Do not use abrasive cleaner.