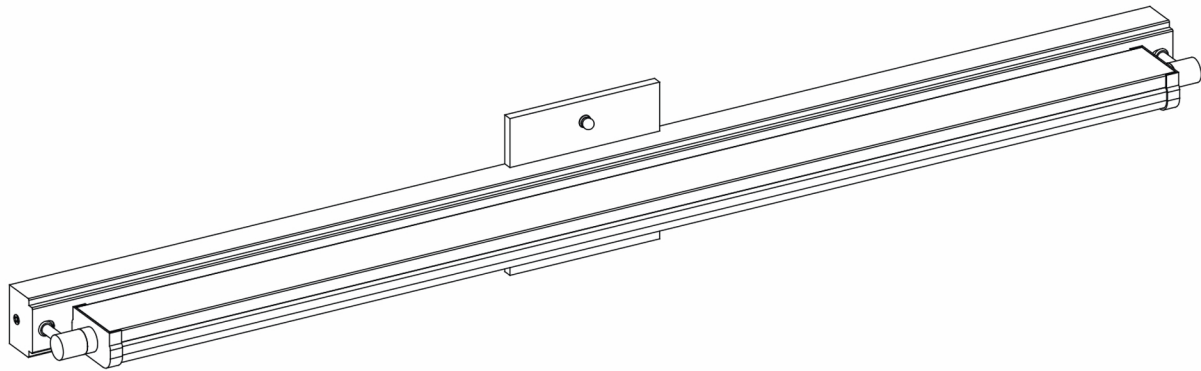


STUDIO•M

SM563035

Please consult your electrician for hanging fixture and wiring.



The fixture is designed to dim with a standard Triac forward phase dimmer. Dimming levels will vary by dimmer.

Below is a List of Recommended dimmers:

.Lutron MACL-153M

.Lutron DVL-153P

.Lutron SCL-153P

.Leviton IPL06-10Z

.Leviton 6674-POW

Due to inrush current wattage should not exceed 150 watts of product for a 600 watt dimmer.

WARNING: Wires need to be connected to driver found in canopy and should not be connected directly to power source or a short may occur.

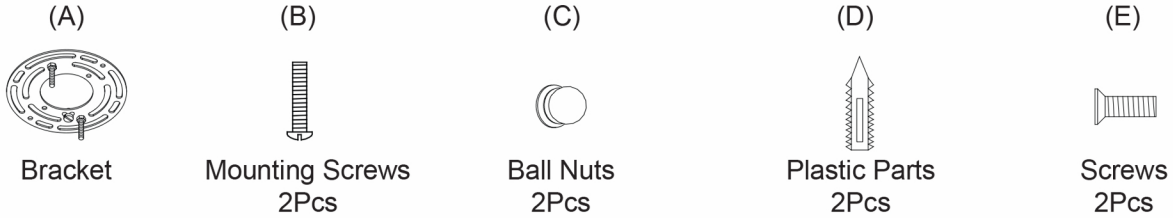
Bulb (included): 1xLED 45W

STUDIO•M

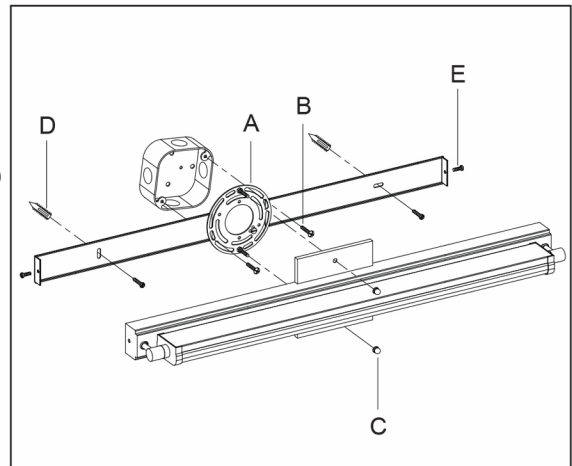
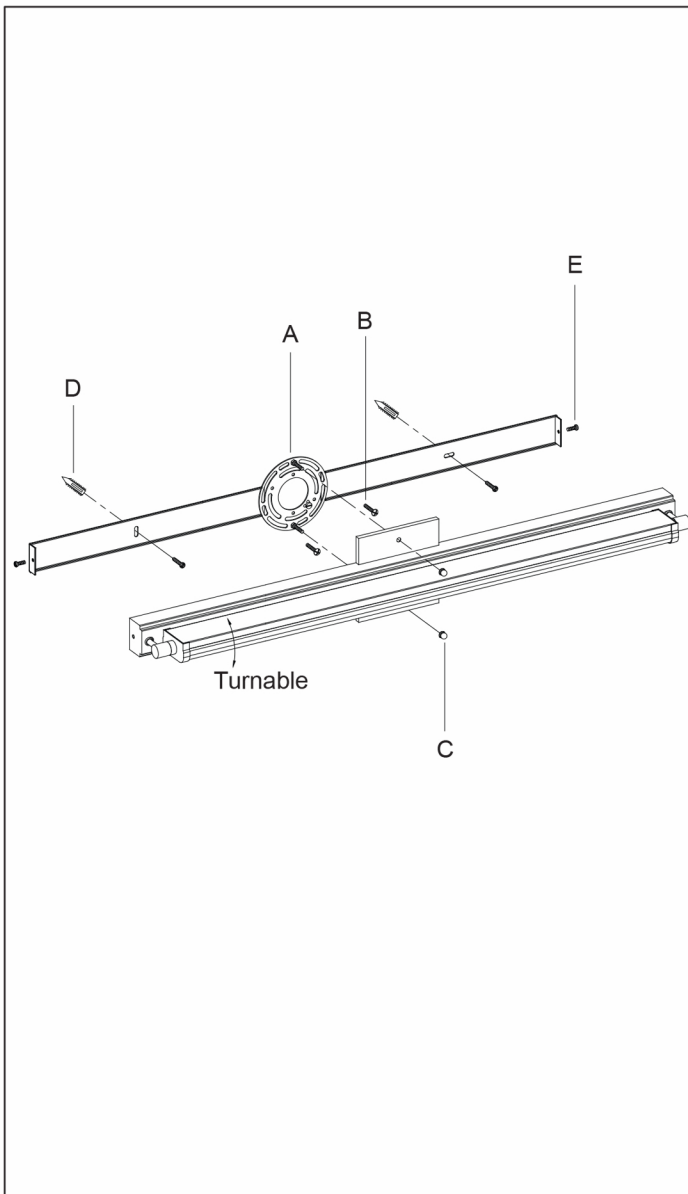
SM563035

Please consult your electrician for hanging fixture and wiring.

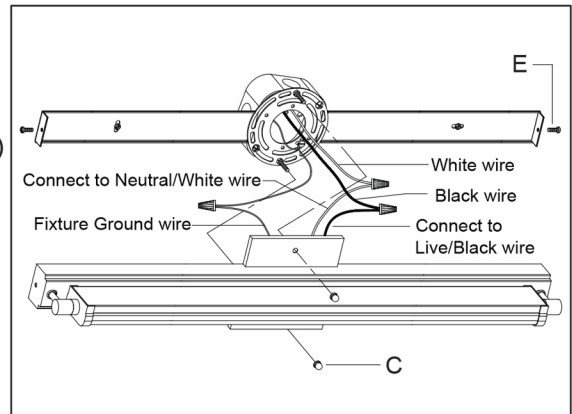
IMPORTANT: Turn off the power at the main fuse or circuit breaker box before starting installation



Locate all hardware & components before discarding packaging



Step1: Remove mounting bracket from fixture and install to electrical box.



Step2: Wire fixture to wires in outlet box. Copper wire is for Ground. Attach canopy to mounting bracket and tighten with ball nuts (C), Screws (E).

Cleaning & Care:
Clean with soft cloth and a mild detergent.
Do not use abrasive cleaner.