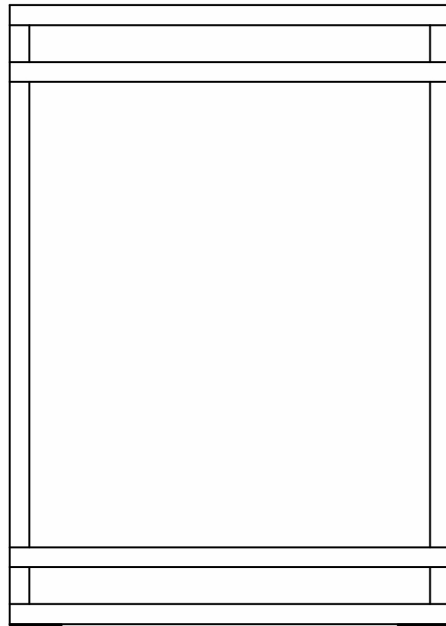


# STUDIO•M

SM565538

Please consult your electrician for hanging fixture and wiring.

**Please consult your electrician for hanging fixture and wiring.**



**WARNING: Wires need to be connected to driver found in canopy and should not be connected directly to power source or a short may occur**

**SM565538 : 15W LED 3000K NO DIMMABLE**

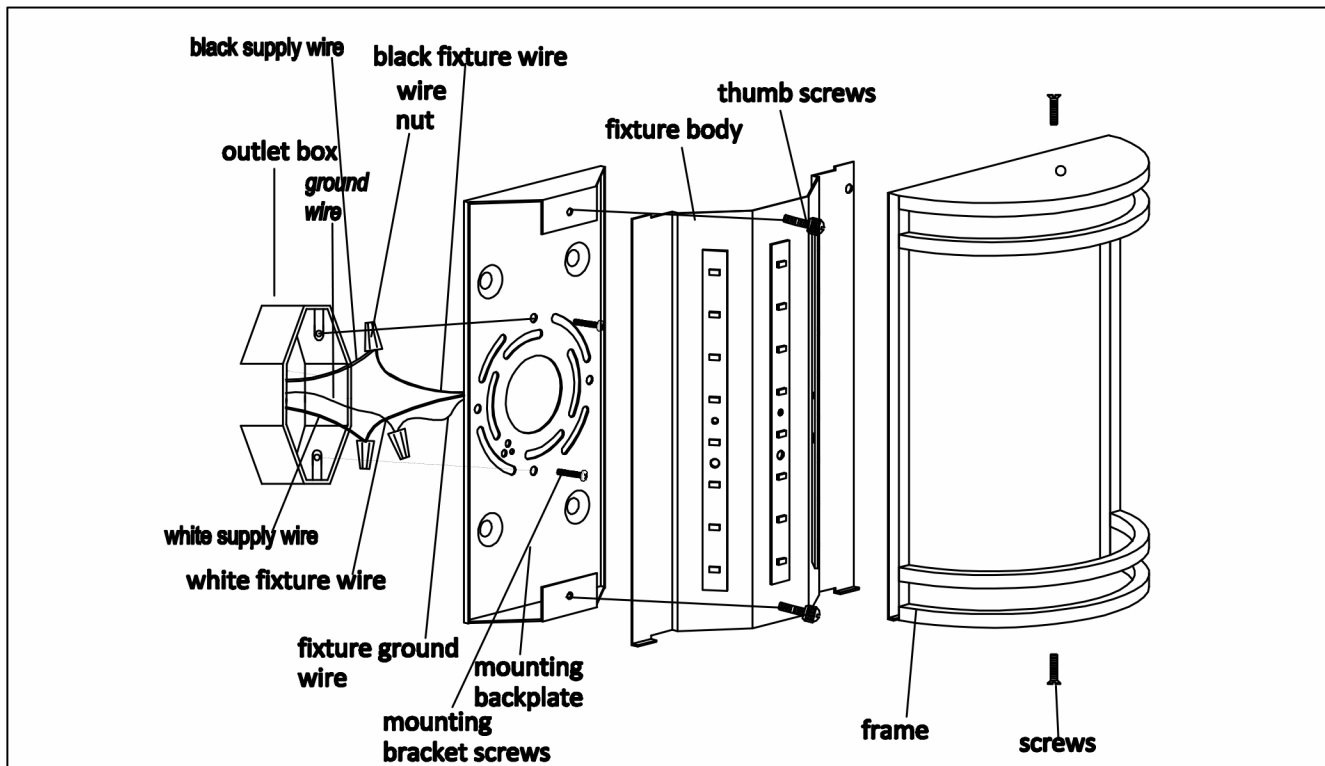
# STUDIO•M

SM565538

Please consult your electrician for hanging fixture and wiring.

**CAUTION:** Turn off the main power at the circuit breaker before installing and servicing the fixture to prevent possible injury from electric shock.

All electrical connections must be in accordance with local and National Electrical Code (N.E.C.) standards. If you are unfamiliar with proper electrical wiring connections, obtain the services of a qualified electrician.



**1:** Pull the power supply wires out from the OUTLET BOX, and mount the MOUNTING BRACKET to the OUTLET BOX using MOUNTING BRACKET SCREWS.

**2:** Connect the BLACK SUPPLY WIRE to the BLACK FIXTURE WIRE using a wire nut.

**3:** Connect the WHITE SUPPLY WIRE to the WHITE FIXTURE WIRE using a wire nut.

**4:** Connect the FIXTURE GROUND WIRE to the SUPPLY GROUND WIRE using a wire nut.

**5:** Place the FIXTURE BODY on the fixture over the MOUNTING BRACKET and secure with the FIXTURE MOUNTING SCREWS.

**6:** Lift the the other end of the FRAME toward the Mounting Bracket and secure this end of the FRAME using the provided SCREWS.

Then secure the bracketed end using SCREWS.

