



PRODUCT DESCRIPTION

(PEOHPDWLF RIKLV FDXDO VRSKLVWLFDWHG VWIOH 0DW 6DQGHUV 'RPDLQ VHULHV...
 DQG ILQLVKHV)HDWXULQJ D WUXQFDWHG VSKHUH RSHQ DW LWV WRS DQG ERWRP...
 DPSOH /(' OLJKWLQJ 7KH RXWHU JODVV VKDGH LV VXVSHQGHG E\ D VWUDS RI VWLWFKH...
 LQ DFLG HWFKHG 6DWLQ :KLWH JODVV ZLWK 1DWXUDO \$JHG %UDVV FUI\WDO FOHDU...
 JODVV ZLWK PDWWH *XQPHWO 7KH VFRQFHV LQ FRQVLGHUDWLRQ RI GDPS ORFDW...
 VWDQGRXW WZR OLJKW SHQGDQW LV VFDOHG IRU LVODQG DQG GLQLQJ XVH 6HPL...
 WKLV FROOHFWLRQ SUHVHQWLQJ D FRPSOHWH DVVRUWPHQW RI FHLQLQJ DQG ZDOO...
 DQG RWKHU LQWHULRU VDFHV 0DW 6DQGHUV GLYHUVH SHULRG LQIOXHQFHV KDYH...
 FOXGH DQ DOO LQFOXVLY...
 W\OUDFNO&KUREPHR%2S DO :...
 HDWKHU WR FRPSOLPHQ...
 L\ZQWKVRO L\PKHG %ODF...
 1DWXUDO \$JHG %UDVV...
 PRXQWHG OLJKWLQJ SURGXV...
 FUHDWHG D IDVFLQDWLQJ FR...

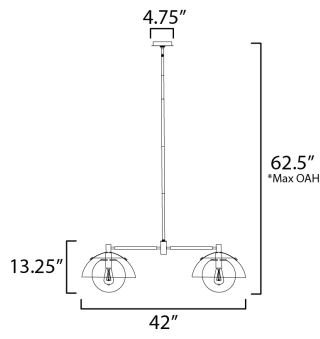
FINISHES OPTION

GLASS
 6PRNH DQG &OHDU 06&/

MATERIAL
 *ODVV /HDWKHU 6WHHO

RATINGS
 'U\ /RFDWLRQ

ADDITIONAL
 23(5\$7,1*7(03(5\$785(
 f & f) f & f)



MEASUREMENTS

' ,0(16,21
 0\$; 2\$+
 &\$123<
 +\$1*,1*:(,*+7

LAMPING

,1387 92/7\$*(
 /80(16
 %8/%
 %8/% ,1&/8'(''
 &5,
 &2/25B7(03

- / - [- : - [- +
 - 2\$+
 - : - [- + - [- /
 - OE
 - 9
 - 5DWHG 'HO
 - : / (' (OHGLXP : 7RWDO
 - ,QFOXGHG
 - &5,
 - .

\$OZD\ V FRQVXOW D TXDOLILHG HOHFWULFLDQ EHIRUH LQVWDOOLQJ DQ\ OLJKWLQJ S



Modifications or Customizations: Please email contract@studiomlighting.com
 Sample Request: Please email order@studiomlighting.com with subject line
 "Sample Order_ [Project Name] / [Specifier/Designer]"
 All samples are subject to Studio M approval and must show proof of project and/or explanation.

| | |
|-----------|-----------|
| Job Name: | Job Type: |
| Quantity: | Comments: |