

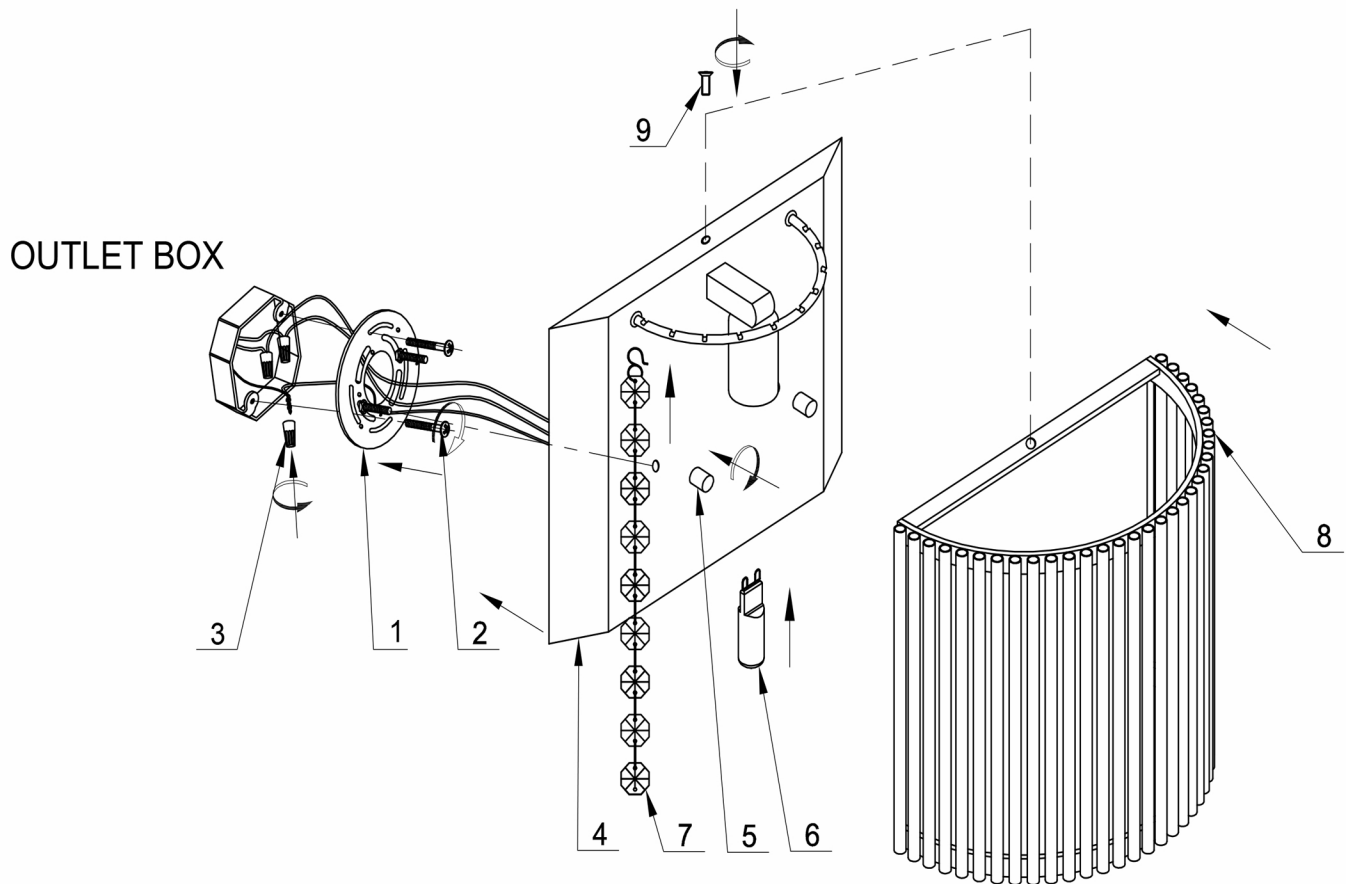
# STUDIO•M

SM253130

Please consult your electrician for hanging fixture and wiring.

## INSTALLATION INSTRUCTION

Item No. : **SM253130**



### FEATURE

●Lamp Type: "Xenon"G9 MAX 60W 120V ~ 60HZ

The lamp is for indoor use only