

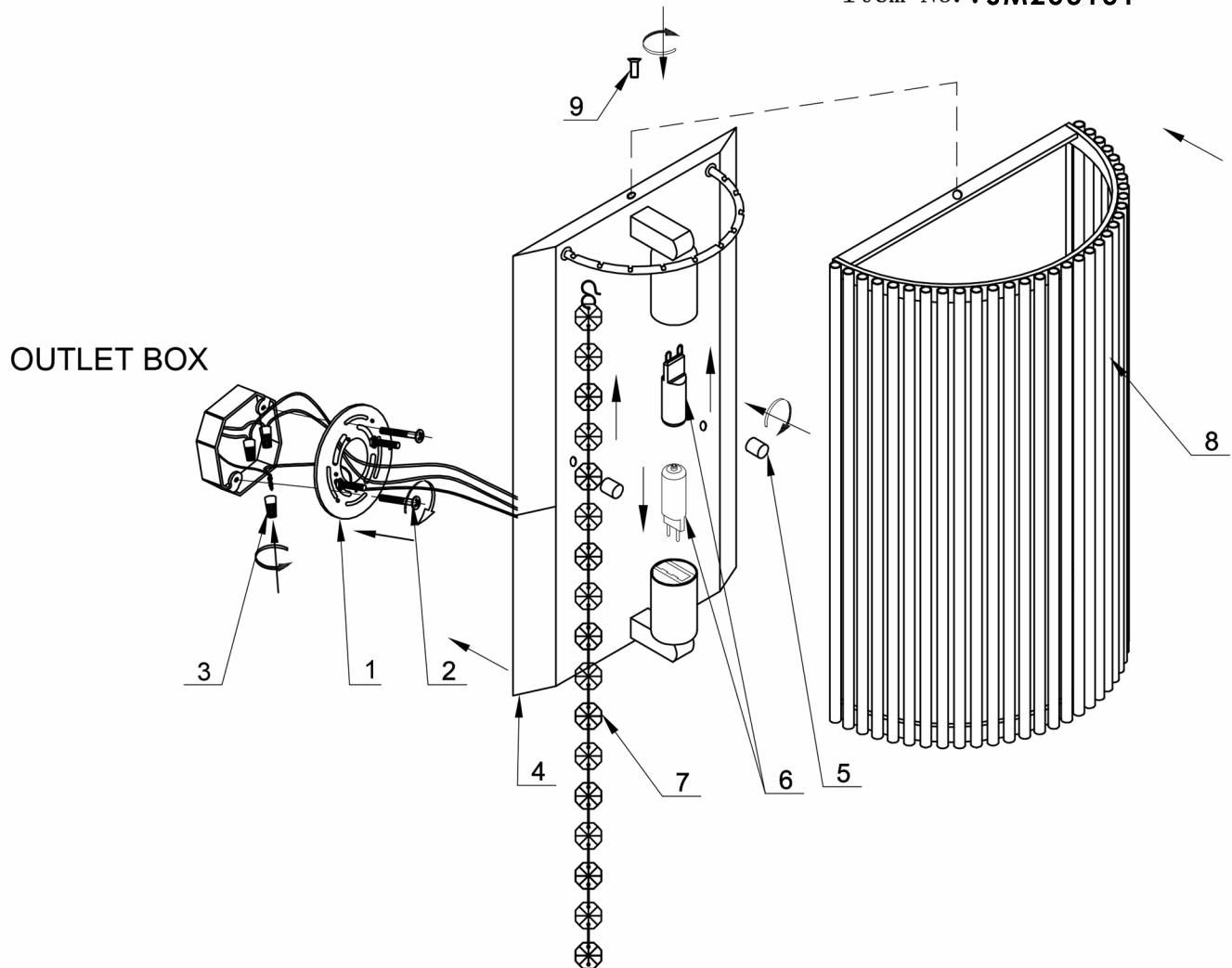
# STUDIO•M

SM253131

Please consult your electrician for hanging fixture and wiring.

## INSTALLATION INSTRUCTION

Item No. : SM253131



### FEATURE

- Lamp Type: "Xenon"G9 2× MAX 60W 120V~ 60HZ  
The lamp is for indoor use only