

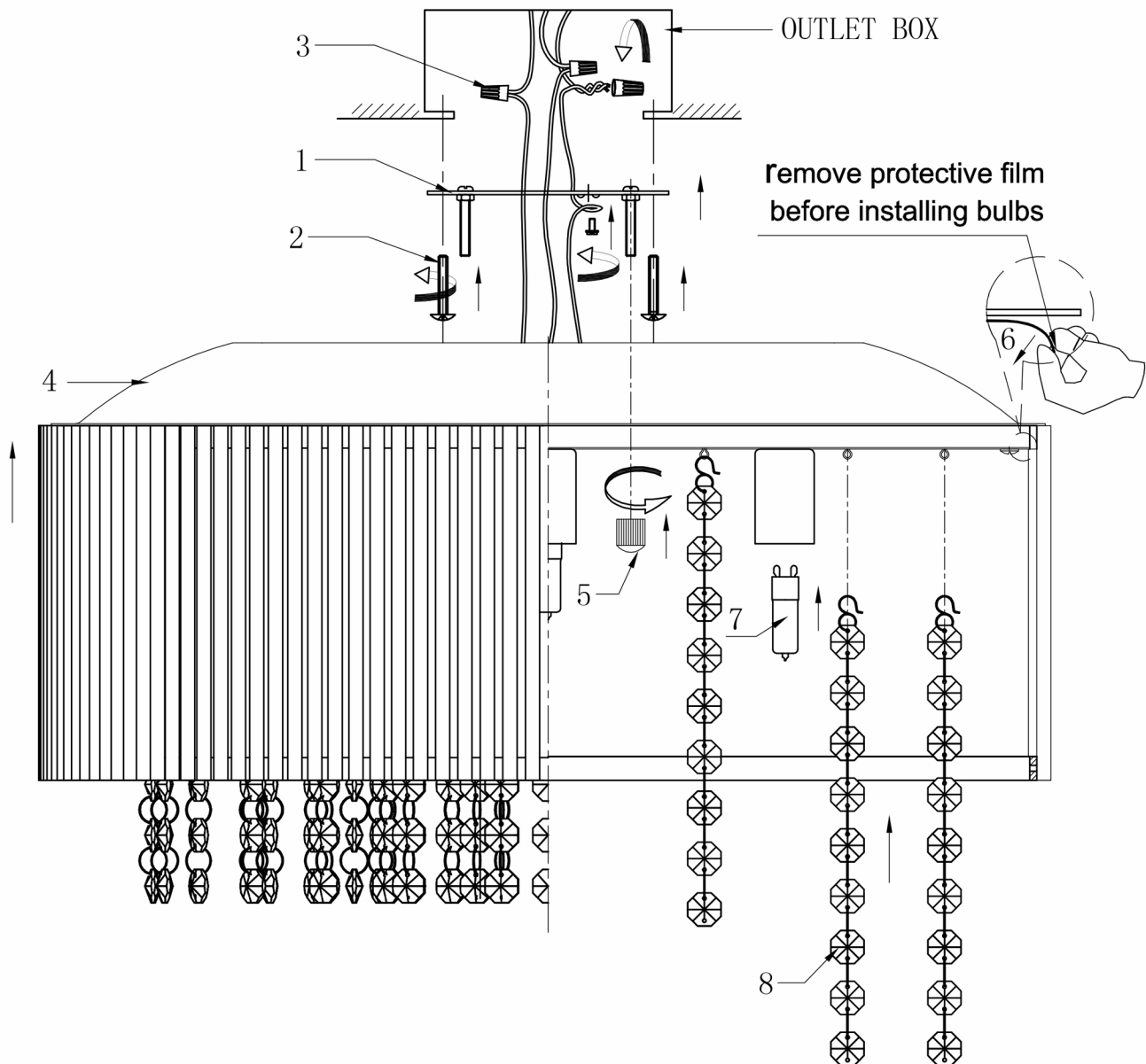
STUDIO•M

SM253133

Please consult your electrician for hanging fixture and wiring.

INSTALLATION INSTRUCTION

Item No.: SM253133



FEATURE

- Lamp Type: "Xenon"G9 7× MAX 40W 120V~ 60HZ
- The lamp is for indoor use only