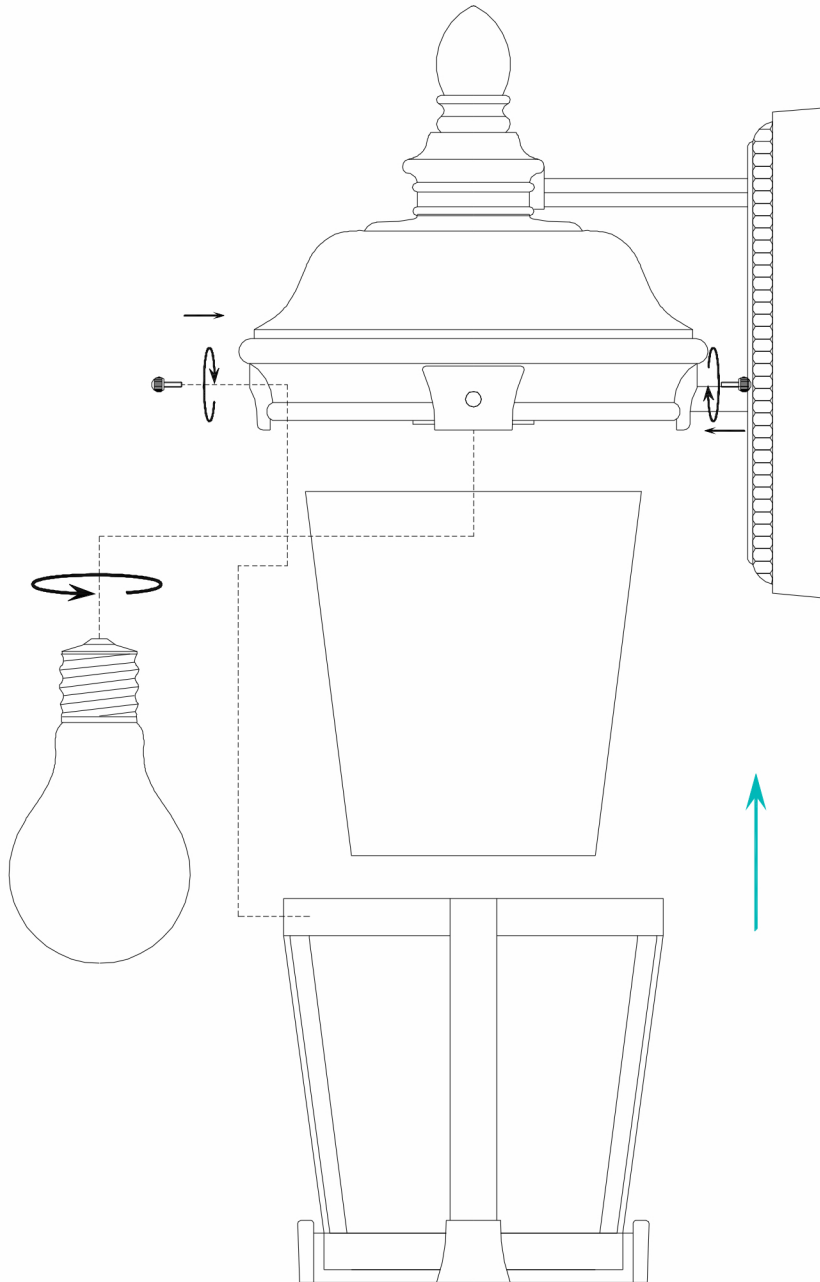


# STUDIO•M

SM460096

Please consult your electrician for hanging fixture and wiring.



**Warning:**

To prevent water intrusion, caulk around back-plate where fixture meets the wall using outdoor silicone sealant.