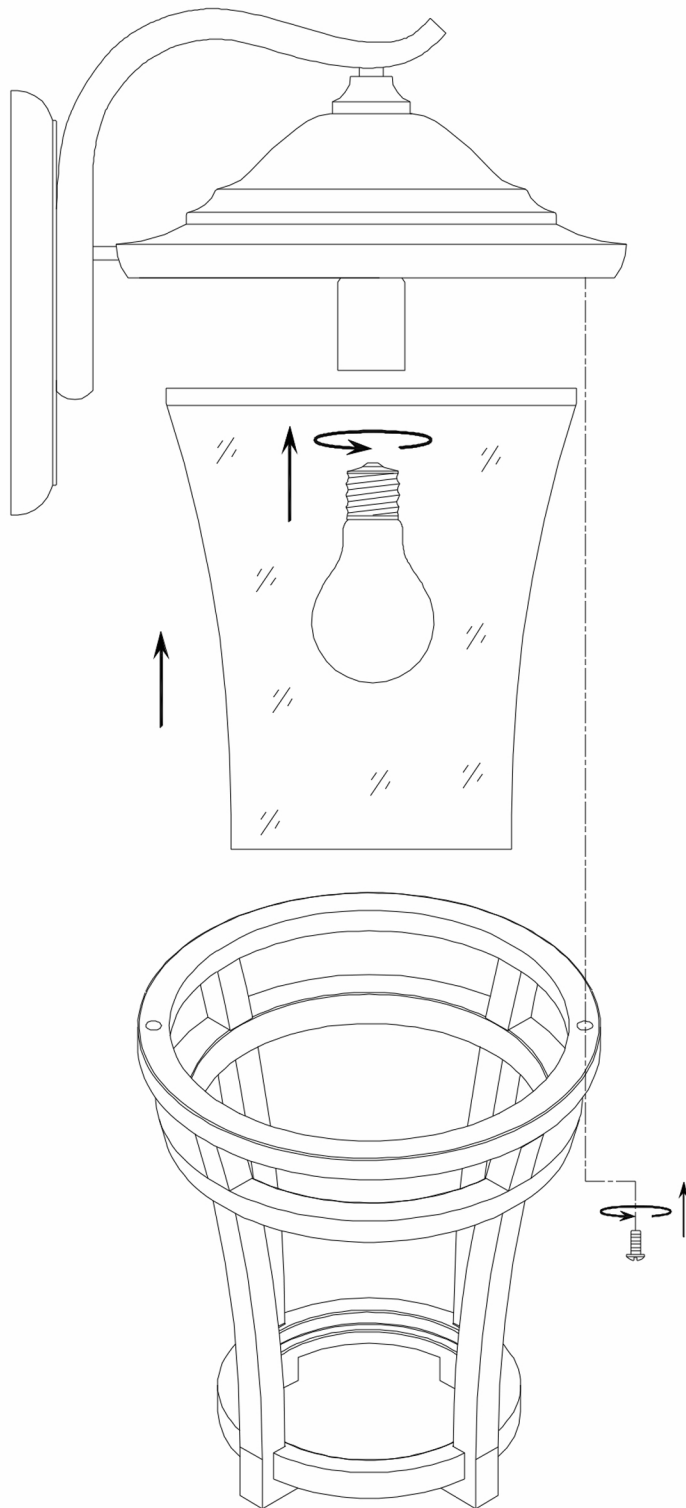


STUDIO•M

SM460165

Please consult your electrician for hanging fixture and wiring.



Warning:

To prevent water intrusion, caulk around back-plate where fixture meets the wall using outdoor silicone sealant.