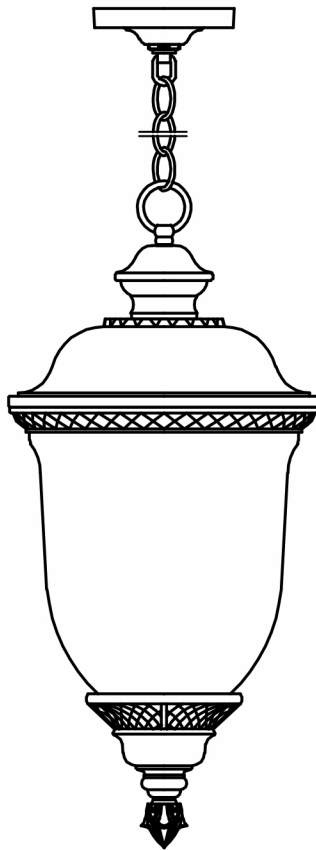


# STUDIO•M

SM565427

Please consult your electrician for hanging fixture and wiring.

**Please consult your electrician for hanging fixture and wiring.**



**Warning! This fixture is supplied with an installed LED driver. These fixtures are dimmable using standard triac dimmer. For best operation we recommend using Lutron CL Dimmers.**

**12W LED**

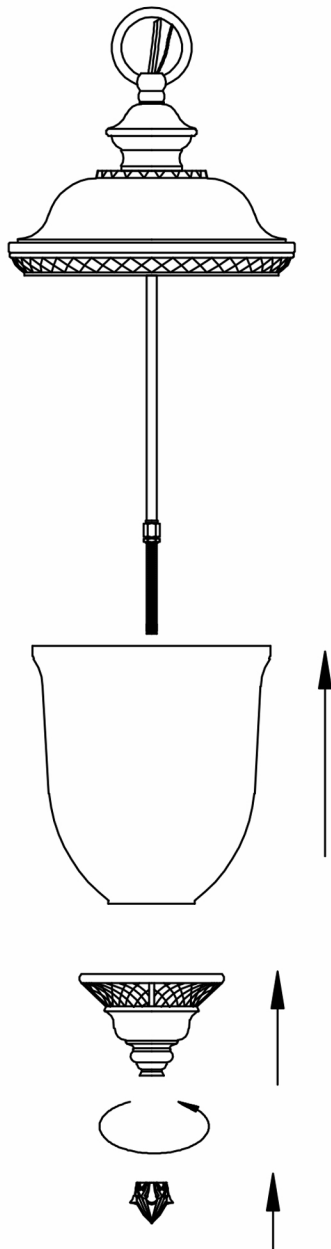
# STUDIO•M

SM565427

Please consult your electrician for hanging fixture and wiring.

**CAUTION:** Before starting the installation, disconnect the power by turning off the circuit breaker or by removing the fuse at the fuse box.

Carefully unpack and identify all parts before assembly



## Installation Procedures

1. Remove mounting bracket from fixture and install to electrical box.
2. Install top loop A to center stem and attach appropriate amount of chain to loop to achieve desired mounting height. Thread wire through every 3rd loop of chain.
3. Remove ring from loop and slide down chain. Place canopy onto chain and let slide to top of fixture. Install nipple and cross bar into top of chain loop.
4. Wire fixture to wires in outlet box. Copper wire is for Ground. Pull canopy through screw ring up chain to ceiling and tighten securely.