

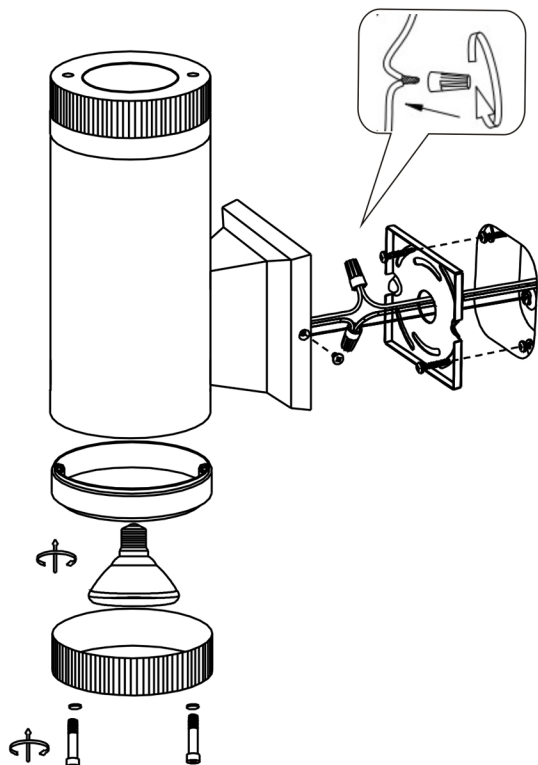
# STUDIO•M

SM66112

Please consult your electrician for hanging fixture and wiring.

## Assembly Instructions

MODEL#: **SM66112**



### Fixing Instructions

1. Remove the back plate from the canopy.
2. Attach the back plate to the junction box.
3. Use the supplied wire connectors, connect wire to the light fitting. Ensure that wires are secure and that no bare wire is exposed.
4. Place the fixture over the back plate, and attach with two screws to hold the fixture.
5. Use the Allen Key to open the cover. Fit the bulbs into socket. Do not use bare hands to install. Use a tissue otherwise life of lamp will decrease drastically.

### Replacement Bulb



**PAR20 50W**



**BULB 40W**

### Warning

1. Make sure that the power is switch off at the electricity mains supply before commencing work.
2. Make sure to note the maximum recommended wattage for your light fixture - **DO NOT EXCEED THE RECOMMENDED WATTAGE**. The socket on these fixtures are rated to 50W PAR20.
3. To clean your fixture, we recommend that you use a damp soft cloth to wipe off dust. **DO NOT USE** abrasive pads or cleaning materials.