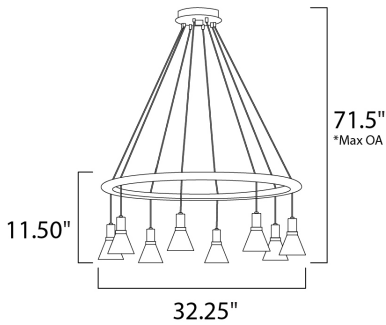




PRODUCT DESCRIPTION

A modern expression using natural materials, Scan features a stained Walnut wood wire way. Clear conical glass is suspended by Black Rayon cord and completed with Polished Nickel metalwork. 40 Watt Xenon G9 bulbs included.



*max overall height of fixture

MEASUREMENTS

- DIMENSION : 32.25" L x 32.25" W x 11.5" H
- MAX OAH : 71.5" OAH
- CANOPY : 7.25" W x 1.5" H x 7.25" L
- HANGING WEIGHT : 11.8 lb

LAMPING

- INPUT VOLTAGE : 120V
- LUMENS : 3,920 Rated
- BULB : 40W Xenon G9 , 320W Total
- BULB INCLUDED : (Included)
- DIMMABLE : Yes

FINISHES OPTION



GLASS

Clear CL

MATERIAL

Steel, Wood

RATINGS

cETLus
Dry Location



ADDITIONAL

ADJUSTABLE
RATED LIFE 2000 Hours
OPERATING TEMPERATURE:
-20°C (-4°F), 40°C (104°F)

Always consult a qualified electrician before installing any lighting product.



Modifications or Customizations: Please email contract@studiomlighting.com
Sample Request: Please email order@studiomlighting.com with subject line
 "Sample Order_ [Project Name] / [Specifier/Designer]"
 All samples are subject to Studio M approval and must show proof of project and/or explanation.

Job Name:	Job Type:
Quantity:	Comments: