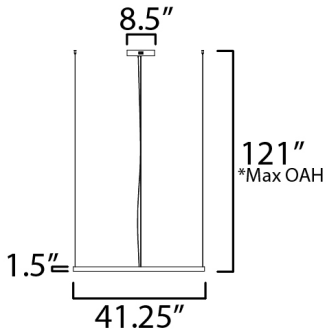




**PRODUCT DESCRIPTION**



**MEASUREMENTS**

DIMENSION : 41.25" L x 36" W x 1.5" H  
 MAX OAH : 121" OAH  
 CANOPY : 8.5" W x 1.75" H x 8.5" L  
 HANGING WEIGHT : 10.56 lb

**LAMPING**

INPUT VOLTAGE : 120-277V  
 LUMENS : 4,640 Rated (2,320 Del.)  
 BULB : 58W LED DC Integrated , 58W Total  
 BULB INCLUDED : (Integrated)  
 DIMMABLE : Triac, ELV, 0-10V  
 CRI : 90 CRI  
 COLOR\_TEMP : 3000K

**FINISHES OPTION**

 Brushed Champagne (BCN)

**MATERIAL**

Stainless Steel,PC

**RATINGS**

cETLus  
 Dry Location



**ADDITIONAL**

SLOPE:  
 RATED LIFE 20000 Hours  
 OPERATING TEMPERATURE:  
 -20°C (-4°F), 40°C (104°F)

Always consult a qualified electrician before installing any lighting product.



**Modifications or Customizations:** Please email [contract@studiomlighting.com](mailto:contract@studiomlighting.com)  
**Sample Request:** Please email [order@studiomlighting.com](mailto:order@studiomlighting.com) with subject line  
 "Sample Order\_ [Project Name] / [Specifier/Designer]"  
 All samples are subject to Studio M approval and must show proof of project and/or explanation.

Job Name:	Job Type:
Quantity:	Comments: