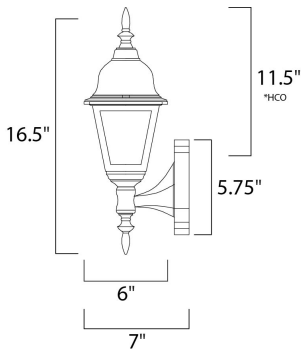




PRODUCT DESCRIPTION

Two-tone frames of Black or White with internal Gold frames provides a neoclassical approach to the squared coach lantern. The sconces jut out from the wall on well-defined trusses that add a contemporary element. Delivering a classic design that suits most exteriors, this collection adds interest in the interior contrasting frame of Gold that secures clear glass panes to diffuse the lamp within.



*height from center of outlet to the top of the fixture



MEASUREMENTS

DIMENSION : 7" L x 7" W x 11.5" H
 HANGING WEIGHT : 2.5 lb

LAMPING

INPUT VOLTAGE : 120V
 BULB : 60W Incandescent E26 Medium , 60W Total
 BULB INCLUDED : (Not Included)
 DIMMABLE : Triac or ELV (Phase Dim)

FINISHES OPTION

-  Black (BK)
-  Black / Gold (BKGLD)

GLASS

Clear CL

MATERIAL

Aluminum & Clear glass

RATINGS

cETLus
 Wet Location



ADDITIONAL

OPERATING TEMPERATURE:
 -20°C (-4°F), 40°C (104°F)

Always consult a qualified electrician before installing any lighting product.



Modifications or Customizations: Please email contract@studiomlighting.com
Sample Request: Please email order@studiomlighting.com with subject line "Sample Order_ [Project Name] / [Specifier/Designer]"
 All samples are subject to Studio M approval and must show proof of project and/or explanation.

Job Name:	Job Type:
Quantity:	Comments: